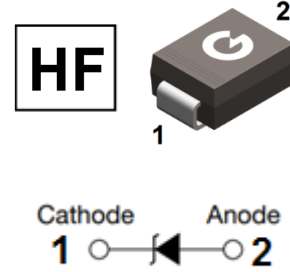


Zener Diodes

SMBJ5333B - SMBJ5388B

Features

- Low profile package for surface mounting (flat handling surface for accurate placement)
- Zener Voltage 3.3V to 200V
- High Surge Current Capability
- For available tolerances – see note 1
- Available on Tape and Reel (see EIA std RS-481)



Mechanical Data

- Case: SMB molded plastic
- Molding compound, UL flammability classification rating 94V-0
- Polarity: Color band denotes cathode end

Maximum Ratings (@ $T_A = 25^\circ\text{C}$ unless otherwise specified)

Parameter	Symbol	Value	Unit
Power dissipation at $T_L=75^\circ\text{C}$	P_{tot}	5.0	W
Forward voltage @ $I_F=200\text{mA}$	V_F	1.2	V
Junction temperature	T_J	-55 ~ +150	$^\circ\text{C}$
Storage temperature range	T_{STG}	-55 ~ +150	$^\circ\text{C}$

Zener Diodes

SMBJ5333B - SMBJ5388B

Electrical Characteristics (@T_A = 25°C unless otherwise specified)

Part Number	Marking	Zener voltage			Test current	Dynamic impedance	Knee impedance		Reverse current	Reverse voltage	Max. DC current
		V _Z (V)			I _{ZT}	Z _{DT}	Z _{ZK}	I _{ZK}	I _{R(Max.)}	V _R	I _{ZM}
		Min	Nom	Max	mA	Ω	Ω	mA	μA	V	mA
SMBJ5333B	333B	2.97	3.3	3.63	380	3.0	400	1.0	300	1.0	1440
SMBJ5334B	334B	3.24	3.6	3.96	350	2.5	500	1.0	150	1.0	1320
SMBJ5335B	335B	3.51	3.9	4.29	320	2.0	500	1.0	50	1.0	1220
SMBJ5336B	336B	3.87	4.3	4.73	290	2.0	500	1.0	10	1.0	1100
SMBJ5337B	337B	4.23	4.7	5.17	260	2.0	450	1.0	5.0	1.0	1010
SMBJ5338B	338B	4.59	5.1	5.61	240	1.5	400	1.0	1.0	1.0	930
SMBJ5339B	339B	5.04	5.6	6.16	220	1.0	400	1.0	1.0	2.0	865
SMBJ5340B	340B	5.4	6.0	6.6	200	1.0	300	1.0	1.0	3.0	790
SMBJ5341B	341B	5.58	6.2	6.82	200	1.0	200	1.0	1.0	3.0	765
SMBJ5342B	342B	6.12	6.8	7.48	175	1.0	200	1.0	10	4.9	700
SMBJ5343B	343B	6.75	7.5	8.25	175	1.5	200	1.0	10	6.4	630
SMBJ5344B	344B	7.38	8.2	9.02	150	1.5	200	1.0	10	6.9	580
SMBJ5345B	345B	7.83	8.7	9.57	150	2.0	200	1.0	10	6.25	545
SMBJ5346B	346B	8.19	9.1	10.01	150	2.0	150	1.0	7.5	6.6	520
SMBJ5347B	347B	9	10	11	125	2.0	125	1.0	5.0	7.2	475
SMBJ5348B	348B	9.9	11	12.1	125	2.5	125	1.0	5.0	8.0	430
SMBJ5349B	349B	10.8	12	13.2	100	2.5	125	1.0	2.0	8.6	395
SMBJ5350B	350B	11.7	13	14.3	100	2.5	100	1.0	1.0	9.4	265
SMBJ5351B	351B	12.6	14	15.4	100	2.5	75	1.0	1.0	10.1	340
SMBJ5352B	352B	13.5	15	16.5	75	2.5	75	1.0	1.0	10.8	315
SMBJ5353B	353B	14.4	16	17.6	75	2.5	75	1.0	1.0	11.5	295
SMBJ5354B	354B	15.3	17	18.7	70	2.5	75	1.0	0.5	12.2	280
SMBJ5355B	355B	16.2	18	19.8	65	2.5	75	1.0	0.5	13	264
SMBJ5356B	356B	17.1	19	20.9	65	3.0	75	1.0	0.5	13.7	250
SMBJ5357B	357B	18	20	22	65	3.0	75	1.0	0.5	14.4	237
SMBJ5358B	358B	19.8	22	24.2	50	3.5	75	1.0	0.5	15.8	216
SMBJ5359B	359B	21.6	24	26.4	50	3.5	100	1.0	0.5	17.3	198
SMBJ5360B	360B	22.5	25	27.5	50	4.0	110	1.0	0.5	18	190

Zener Diodes

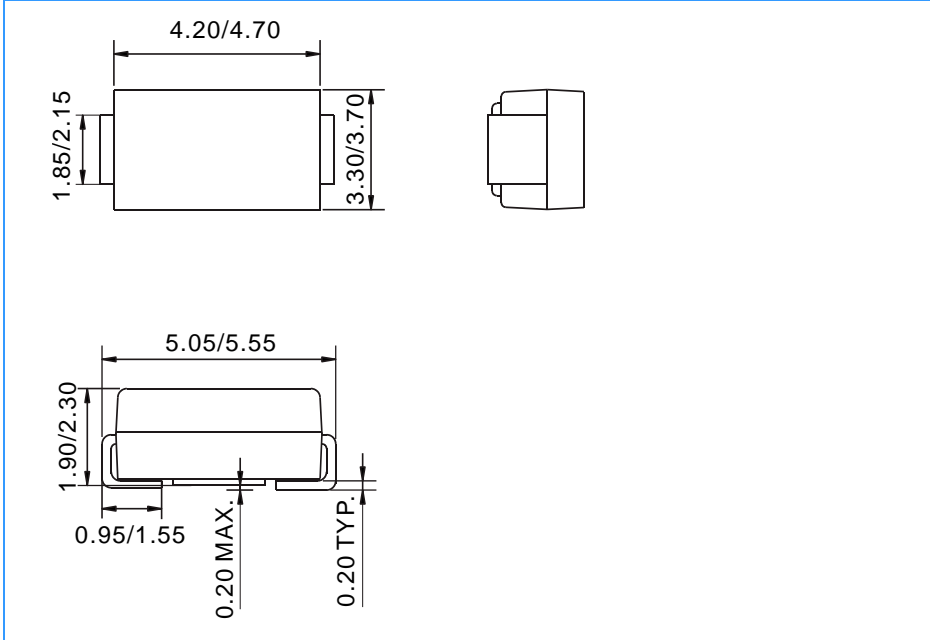
SMBJ5333B - SMBJ5388B

Part Number	Marking	Zener voltage			Test current	Dynamic impedance	Knee impedance		Reverse current	Reverse voltage	Max. DC current
		V _Z (V)			I _{ZT}	Z _{ZT}	Z _{ZK}	I _{ZK}	I _{R(Max.)}	V _R	I _{ZM}
		Min	Nom	Max	mA	Ω	Ω	mA	μA	V	mA
SMBJ5361B	361B	24.3	27	29.7	50	5.0	120	1.0	0.5	19.4	176
SMBJ5362B	362B	25.2	28	30.8	50	6.0	130	1.0	0.5	20.1	170
SMBJ5363B	363B	27	30	33	40	8.0	140	1.0	0.5	21.6	158
SMBJ5364B	364B	29.7	33	36.3	40	10	150	1.0	0.5	23.8	144
SMBJ5365B	365B	32.4	36	39.6	30	11	160	1.0	0.5	25.9	132
SMBJ5366B	366B	35.1	39	42.9	30	14	170	1.0	0.5	28.1	122
SMBJ5367B	367B	38.7	43	47.3	30	20	190	1.0	0.5	31	110
SMBJ5368B	368B	42.3	47	51.7	25	25	210	1.0	0.5	33.8	100
SMBJ5369B	369B	45.9	51	56.1	25	27	230	1.0	0.5	36.7	93
SMBJ5370B	370B	50.4	56	61.6	20	35	280	1.0	0.5	40.3	86
SMBJ5371B	371B	54	60	66	20	40	350	1.0	0.5	43	79
SMBJ5372B	372B	55.8	62	68.2	20	42	400	1.0	0.5	44.6	76
SMBJ5373B	373B	61.2	68	74.8	20	44	500	1.0	0.5	49	70
SMBJ5374B	374B	67.5	75	82.5	20	45	620	1.0	0.5	54	63
SMBJ5375B	375B	73.8	82	90.2	15	65	720	1.0	0.5	59	58
SMBJ5376B	376B	78.3	87	95.7	15	75	760	1.0	0.5	63	54.5
SMBJ5377B	377B	81.9	91	100.1	15	75	760	1.0	0.5	65.5	52.5
SMBJ5378B	378B	90	100	110	12	90	800	1.0	0.5	72	47.5
SMBJ5379B	379B	99	110	121	12	125	1000	1.0	0.5	79.4	43
SMBJ5380B	380B	108	120	132	10	170	1150	1.0	0.5	86.4	39.5
SMBJ5381B	381B	117	130	143	10	190	1250	1.0	0.5	93.6	36.6
SMBJ5382B	382B	126	140	154	8.0	230	1500	1.0	0.5	101	34
SMBJ5383B	383B	135	150	165	8.0	330	1500	1.0	0.5	108	31.5
SMBJ5384B	384B	144	160	176	8.0	350	1660	1.0	0.5	115	29.4
SMBJ5385B	385B	153	170	187	8.0	380	1750	1.0	0.5	122	28
SMBJ5386B	386B	162	180	198	5.0	430	1750	1.0	0.5	130	26.4
SMBJ5387B	387B	171	190	209	5.0	450	1850	1.0	0.5	137	25
SMBJ5388B	388B	180	200	220	5.0	480	1850	1.0	0.5	144	23.6

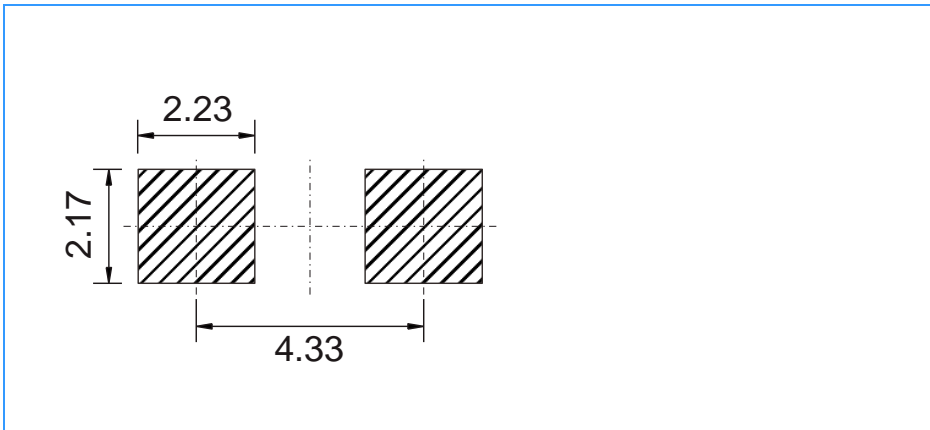
Zener Diodes

SMBJ5333B - SMBJ5388B

Package Outline Dimensions (Unit: mm)



Mounting Pad Layout (Unit: mm)



Ordering Information

Part Number	Package	Shipping Quantity
SMBJ5333B - SMBJ5388B	SMB	3000 pcs / Tape & Reel